

TECHNICAL SPECIFICATIONS

| | |
|---------------------------------|--|
| Throat diameter | 49 mm. 2 in. |
| Rated impedance | 8 ohms |
| Minimum impedance | 7.4 ohms @ 3.5 kHz |
| D.C. Resistance | 5.5 ohms |
| Power capacity * | 60 w AES above 0.8 kHz 80 w AES above 1.5 kHz |
| Program power | 120 w above 0.8 kHz 160 w above 1.5 kHz |
| Sensitivity ** | 112 dB 1 w @ 1m coupled to TD-400N horn |
| Frequency range | 0.6 - 20 kHz |
| Recommended crossover | 800 Hz or higher (12 dB/oct. min.) |
| Voice coil diameter | 72.2 mm. 2.87 in. |
| Magnetic assembly weight | 3.1 kg. 6.82 lb. |
| Flux density | 2.2 T |
| BL factor | 11.5 N/A |



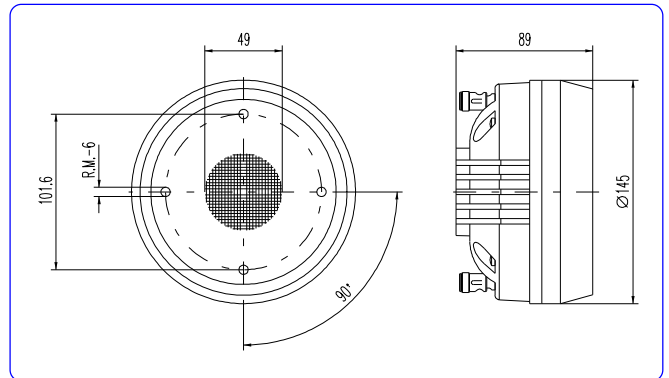
MOUNTING INFORMATION

| | |
|-------------------------|---|
| Overall diameter | 145 mm. 5.70 in. |
| Depth | 89 mm. 3.5 in. |
| Mounting | Four M6 threaded holes, 90° apart on 101.6 mm (4 in.) diameter circle. Mounting hardware is supplied. |
| Net weight | 3.5 kg. 7.7 lb. |
| Shipping weight | 3.75 kg. 8.25 lb. |

MATERIALS

- **Diaphragm:** titanium.
- **Voice coil:** edgewound aluminium ribbon wire.
- **Voice coil former:** kapton.
- **Magnet:** neodymium.

DIMENSION DRAWINGS



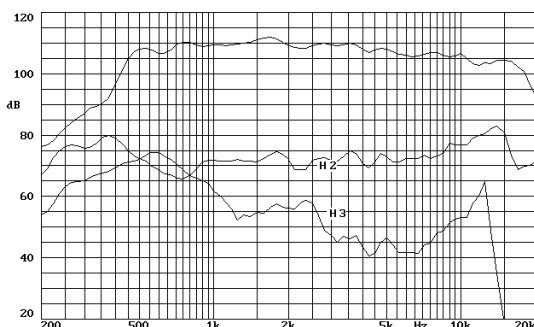
Notes:

*The power capacity is determined according to AES2-1984 (r2003) standard.
Program power is defined as the transducer's ability to handle normal music program material.
**Sensitivity was measured at 1 m distance, on axis, with 1 w input, averaged in the range 1-7 kHz.

GENERAL DESCRIPTION

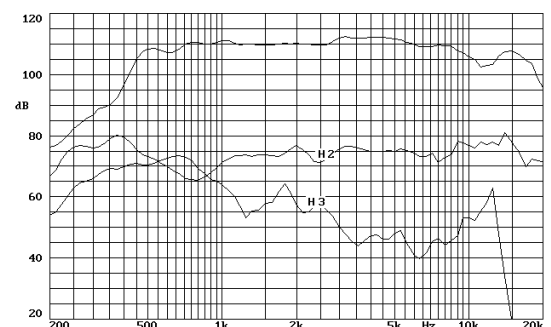
This high frequency compression driver features a composite structure diaphragm. It has a Mylar surround to provide damping and avoid resonant peaks typical of metal surrounds. The dome is made of pure titanium, with its unique mechanical properties. This diaphragm combined with a new optimized phasing-plug and a copper ring, results in an extremely smoothed and extended high frequency response.

FREQUENCY RESPONSE AND DISTORTION CURVES



Note: on axis frequency response measured coupled to TD-400N horn in anechoic chamber, 1w @ 1m.

FREQUENCY RESPONSE AND DISTORTION CURVES



Note: on axis frequency response measured coupled to TD-460N horn in anechoic chamber, 1w @ 1m.