

# CP-600/Ti

## HIGH FREQUENCY COMPRESSION UNIT

### DESCRIPTION

This 2" high frequency compression driver features an integral dome and suspension formed from pure titanium, providing exceptional high output with low distortion and extended high frequency response with extra power handling. The coil-diaphragm assembly is easily field replaceable without soldering.

### SPECIFICATIONS

|                          |                                       |
|--------------------------|---------------------------------------|
| Throat diameter          | 49 mm. 2 in.                          |
| Nominal impedance        | 8 ohms.                               |
| Minimum impedance        | 7 ohms. @ 3 kHz                       |
| D.C.resistance           | 6.2 ohms.                             |
| Power capacity           | 60 w above 1 kHz<br>100 w above 2 kHz |
| Sensitivity              | 109 dB coupled to a TD-460 horn       |
| Frequency range          | 600 Hz-17 kHz                         |
| Recommended crossover    | 800 Hz or higher, 12 dB/oct. minimum  |
| Voice coil diameter      | 72.2 mm. 2.84 in.                     |
| Magnetic assembly weight | 6.5 kg. 14.3 lb.                      |
| Flux density             | 1.95 T                                |
| BL Factor                | 11.5 N/A                              |
| Voice coil inductance    | 0.13 mH                               |

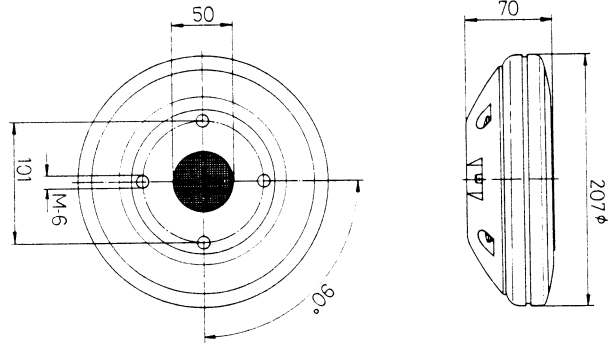
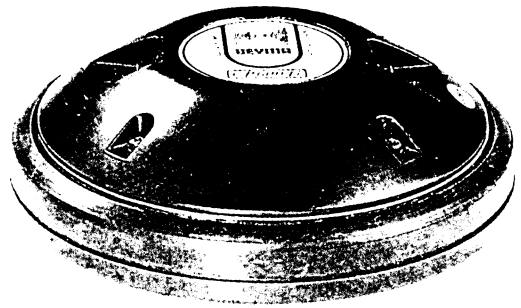
Positive voltage on red terminal moves diaphragm toward the phasing plug.

### MATERIALS

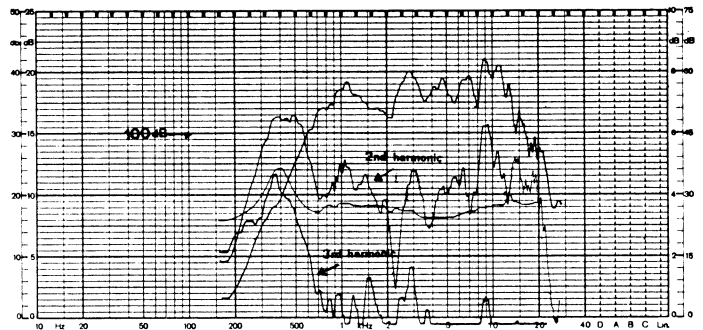
|                     |                              |
|---------------------|------------------------------|
| Diaphragm           | Titanium                     |
| Voice coil material | Edgewound copper ribbon wire |
| Voice coil former   | Kapton                       |

### MOUNTING INFORMATION

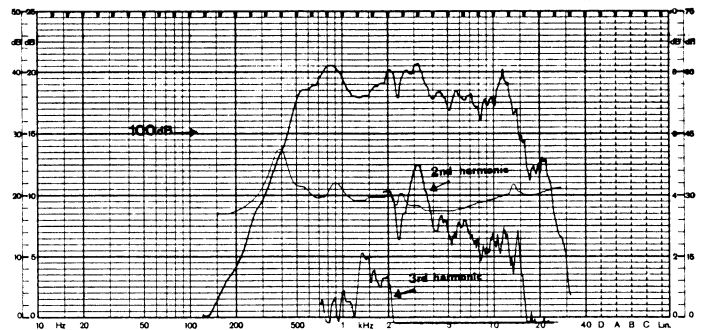
|                  |   |
|------------------|---|
| Overall diameter | 207 mm. 8.18 in.  |
| Depth            | 70 mm. 2.75 in.   |
| Mounting         | four M6 threaded holes, 90° apart on 101.6 mm. (4 in.) diameter circle<br>Mounting hardware is supplied |
| Net weight       | 7.06 kg. 15.33 lb.  |
| Shipping weight  | 7.28 kg. 16 lb.   |



Frequency response, Distortion & Impedance curves • 2nd & 3rd harmonic level raised 20 dB  
Coupling with the TD-360 horn, 1w @ 1m



Frequency response, Distortion & Impedance curves • 2nd & 3rd harmonic level raised 20 dB  
Coupling with the TD-400 horn, 1w @ 1m



Frequency response, Distortion & Impedance curves • 2nd & 3rd harmonic level raised 20 dB  
Coupling with the TD-460 horn, 1w @ 1m

