

KEY FEATURES

- 15" woofer with 4" voice coil and 2,8" voice coil compression driver
- Program power: 800 W LF / 180 W HF
- Sensitivity: 98 dB LF and 105 dB HF
- Low weight and compact common magnet system design
- Demodulating rings in LF and HF units
- Composite Titanium/Mylar diaphragm
- Waterproof LF cone
- 60° coverage horn for HF dispersion control

TECHNICAL SPECIFICATIONS

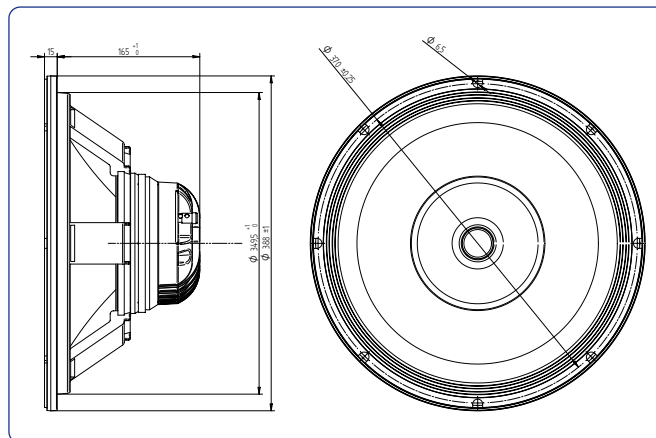
Nominal diameter (LF)	381 mm	15 in
Rated impedance (LF/HF)	8 / 16 Ω	
Minimum impedance (LF/HF)	6,6 Ω	
Power capacity* (LF/HF)	400 / 90 W _{AES}	
Program power (LF/HF)	800 / 180 W	
Sensitivity (LF/HF)	98 dB	2,83v @ 1m @ 2 π
Frequency range	35 - 20.000 Hz	
Recom. HF crossover	1,5 kHz or higher	(12 dB/oct min slope)
Voice coil diameter	101,6 mm	4 in
Magnetic assembly weight	4,2 kg	9,26 lb
BL factor	19,04 N/A	
Moving mass	0,084 kg	
Voice coil length	16 mm	
Air gap height	9 mm	
X _{damage} (peak to peak)	28 mm	

THIELE-SMALL PARAMETERS**

Resonant frequency, f_s	40 Hz
D.C. Voice coil resistance, R_e	6,6 Ω
Mechanical Quality Factor, Q_{ms}	4,37
Electrical Quality Factor, Q_{es}	0,39
Total Quality Factor, Q_{ts}	0,36
Equivalent Air Volume to C_{ms} , V_{as}	196 l
Mechanical Compliance, C_{ms}	181 μ m / N
Mechanical Resistance, R_{ms}	4,91 kg / s
Efficiency, η_0	3,3 %
Effective Surface Area, S_d	0,088 m ²
Maximum Displacement, X_{max} ***	6 mm
Displacement Volume, V_d	350 cm ³
Voice Coil Inductance, L_e @ 1 kHz	0,9 mH



DIMENSION DRAWINGS



MOUNTING INFORMATION

Overall diameter	388 mm	15,28 in
Bolt circle diameter	370 mm	14,57 in
Baffle cutout diameter:		
- Front mount	349,5 mm	13,76 in
- Rear mount	360 mm	14,17 in
Depth	180 mm	7,09 in
Volume displaced by driver	7 l	0,25 ft ³
Net weight	7,22 kg	15,92 lb
Shipping weight	8,10 kg	17,86 lb

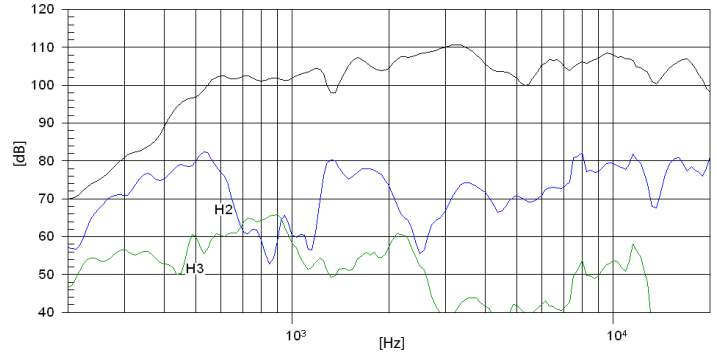
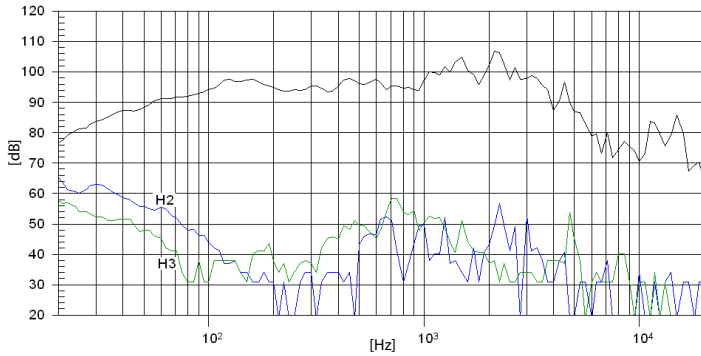
Notes:

* The power capacity is determined according to AES2-1984 (r2003) standard. Program power is defined as the transducer's ability to handle normal music program material.

** T-S parameters are measured after an exercise period using a preconditioning power test. The measurements are carried out with a velocity-current laser transducer and will reflect the long term parameters (once the loudspeaker has been working for a short period of time).

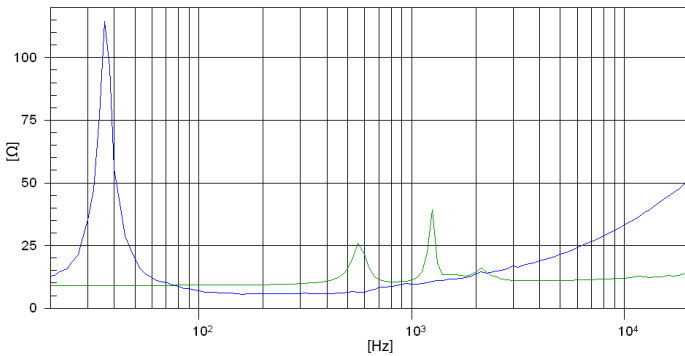
*** The X_{max} is calculated as $(L_{vc} - H_{ag})/2 + (H_{ag}/3,5)$, where L_{vc} is the voice coil length and H_{ag} is the air gap height.

FREQUENCY RESPONSE AND DISTORTION

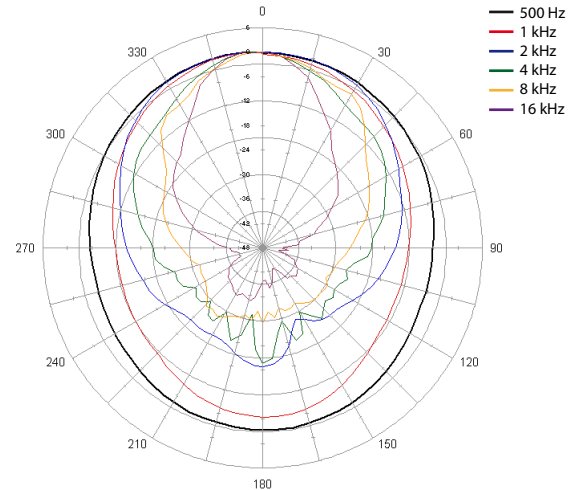


Note: On axis frequency response measured with loudspeaker standing on infinite baffle in anechoic chamber, 1W @ 1m

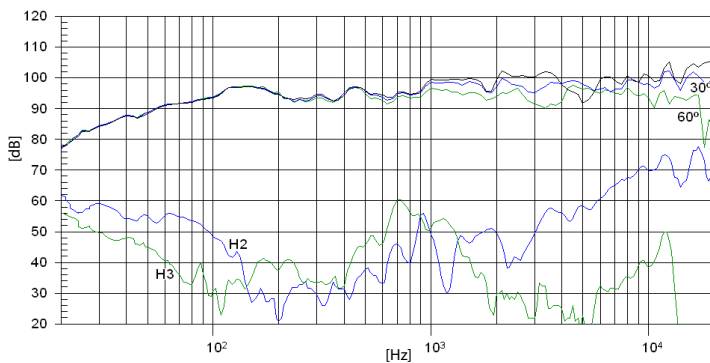
FREE AIR IMPEDANCE CURVE



POLAR PATTERN



FILTERED FREQUENCY RESPONSE



Note: Filtered frequency response measured with loudspeaker standing on infinite baffle in anechoic chamber, 1W @ 1m with FD-2XA